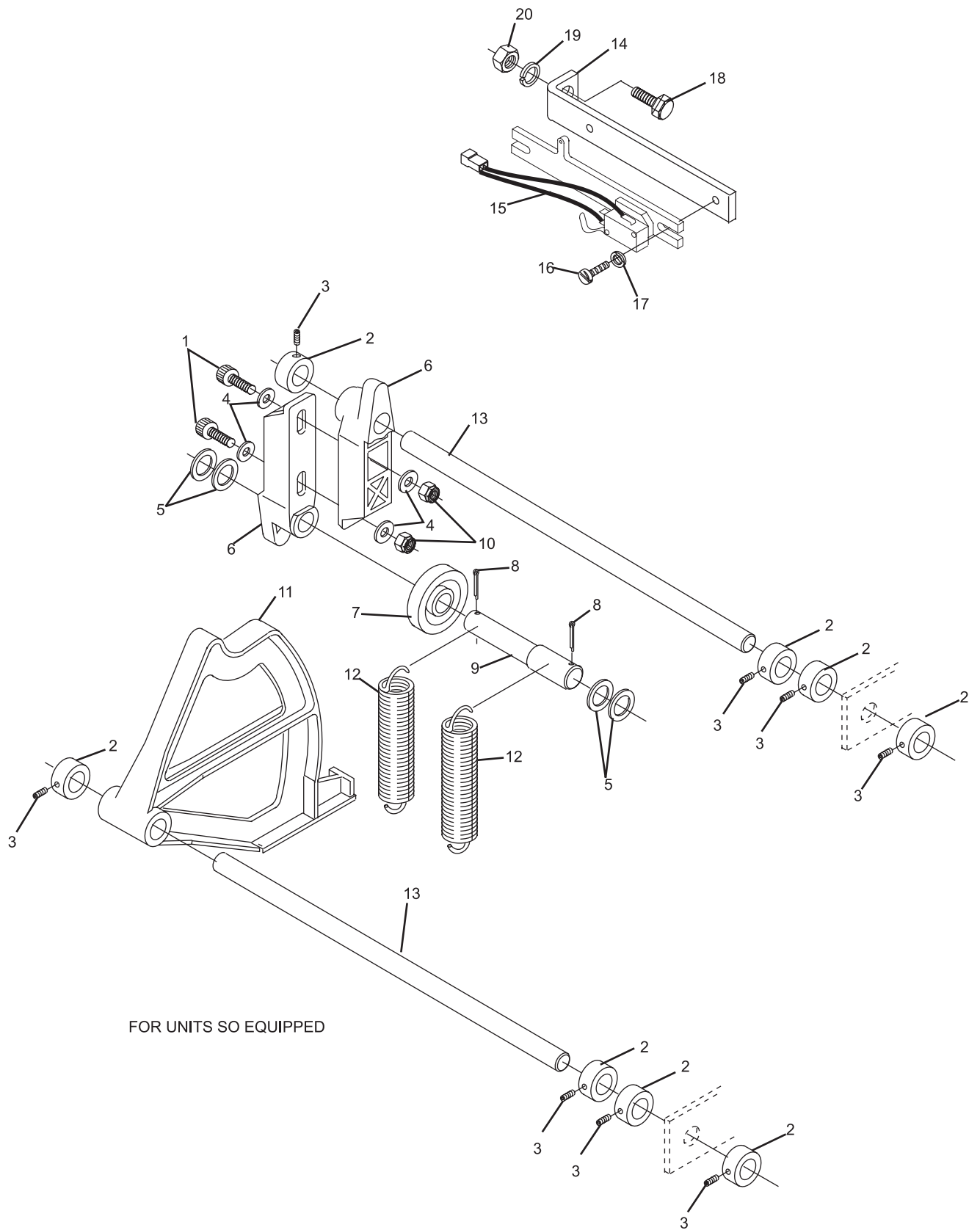


Index

No.	Part No.	Description
1.	11-051515-001	Socket Hd. Cap Screw (6 mm x 18 mm)
2.	11-053616-001	Stop Collar (15 mm)
3.	11-052801-001	Set Screw (6 mm x 6 mm)
4.	11-052048-001	Flat Washer (6.4 mm)
5.	11-052036-001	Flat Washer (15 mm)
6.	47-081650-004	Roller Lever
7.	47-081651-004	N.A. Roller Wheel
8.	11-051786-001	Cotter Pin (2.5 mm x 25 mm)
9.	47-081652-004	Roller Shaft
10.	11-051743-001	Locknut (6 mm)
11.	47-081649-002	Cam
12.	47-081654-004	Tension Spring
13.	47-080744-004	Shaft
14.	47-081771-004	Switch Bracket
15.	99-050230-004	Switch w/Connector Complete
16.	11-052201-001	Slotted Machine Screw (4 mm x 10 mm)
17.	11-052025-001	Flat Washer (4.3 mm)
18.	11-051038-001	Hex Hd. Cap Screw (8 mm x 16 mm)
19.	11-051770-001	Lockwasher (8 mm)
20.	11-051704-001	Hex Nut (8 mm)

N.A. = No Longer Available

GS-10 Setting Table Switch Cam Assembly



GS-10 Setting Table Switch Cam Assembly