

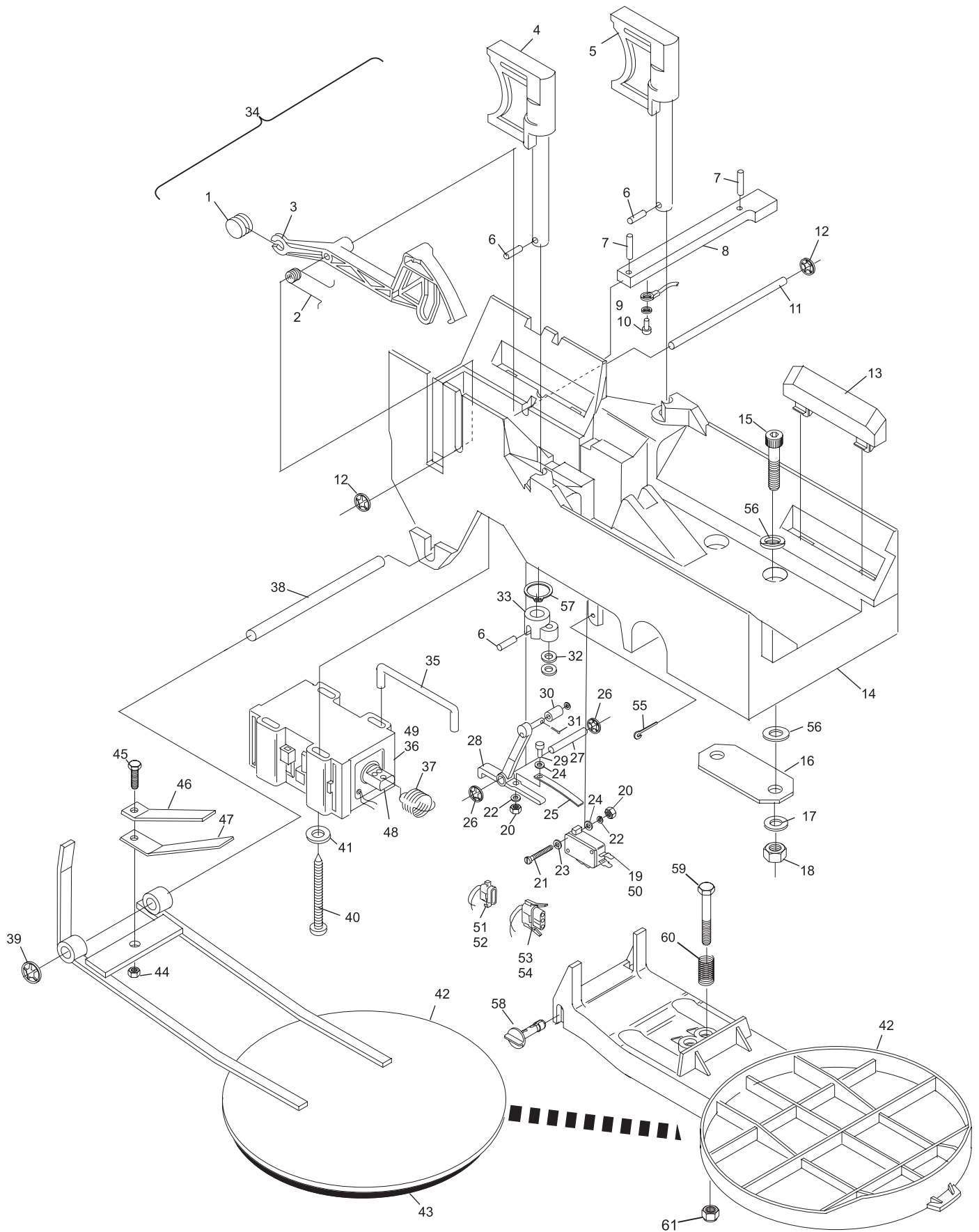
Index			Index		
No.	Part No.	Description	No.	Part No.	Description
1.	47-052124-004	Counter Weight	40.	11-054776-001	N.A. C.R. Pan Hd. Screw (5 mm x 60 mm)
2.	47-050640-004	Tension Spring		47-861037-001	R.O. C.R. Pan Hd. Screw (5 mm x 60 mm) Pkg. of 10
3.	47-050665-003	Switch Finger	41.	11-052039-001	Flat Washer (5.3 mm)
4.	47-052440-004	R.H. Pin Gripper	42.	N.A.	N.A. Pin Detector Plate w/Rubber (metal)
5.	47-052439-004	L.H. Pin Gripper	**47-054298-001		R.O. Pin Detector Plate w/Pin (plastic)
6.	11-052681-001	Roll Pin (3 mm x 16 mm)	43.	N.A.	Rubber Material Only
7.	11-052677-001	Roll Pin (2 mm x 16 mm)	44.	N.A.	Locknut (4 mm)
8.	*47-050675-004	Ground Shaft	45.	N.A.	Hex Hd. Cap Screw (4 mm x 10 mm)
9.	11-051767-001	Lockwasher (4 mm) - red box only	46.	N.A.	Flat Spring Support
10.	11-053776-001	C.R. Pan Hd. Screw (4 mm x 8 mm) - red box only	47.	N.A.	Flat Spring
11.	47-050668-004	Switch Finger Shaft	48.	99-060208-004	Plunger
12.	11-053476-001	Speed Nut (4 mm)	49.	99-060242-004	Solenoid Complete (silver, consolidated and nexgen electronics box)
13.	47-050308-004	Damper	50.	47-053635-004	Cherry Switch (silver, consolidated and nexgen electronics box)
14.	47-054689-009	Pin Holder w/Dampers	51.	11-680302-000	N.A. Terminal (silver box & universal)
	N.A.	Pin Holder w/o Dampers		57-860032-000	R.O. Terminal - Male (Pkg. of 10)
15.	11-051535-001	Socket Hd. Cap Screw (8 mm x 40 mm)	52.	11-680105-000	N.A. Connector - 4 Pin (silver box & universal)
16.	47-050676-004	Bracket	53.	11-697187-000	Terminal (red box)
17.	11-051770-001	Lockwasher (8 mm)	54.	N.A.	Connector - 3 Pin (red box)
18.	11-051704-001	Hex Nut (8 mm)	55.	11-051809-001	Split Pin (2 mm)
19.	47-052418-004	Cherry Switch (red box only)	56.	11-052003-001	N.A. Flat Washer (8.4 mm)
20.	11-051708-001	Hex Nut (2.5 mm)		11-052003-001	R.O. Flat Washer (8.4 mm)
21.	11-052203-001	Slt'd. Machine Screw (2.5 mm x 20 mm)	57.	11-053401-001	N.A. Snap Ring (8 mm)
22.	11-051766-001	Lockwasher (2.5 mm)	58.	47-860005-000	Pivot Pin (Pkg. of 10)
23.	11-052041-001	Flat Washer (2.7 mm)	59.	11-051088-001	Hex Hd. Cap Screw (6 mm x 35 mm)
24.	11-052051-001	Flat Washer (2.5 mm)	60.	47-054708-004	Pin Deflector Spring
25.	47-050639-004	Switch Spring	61.	11-051743-001	Lock Nut (6 mm)
26.	11-053475-001	Speed Nut (3 mm)			
27.	47-050674-004	Shaft			
28.	47-050670-004	Switch Finger			
29.	11-052205-001	Slotted Machine Screw (2.5 mm x 8 mm)			
30.	47-050671-004	N.A. Roller Bushing			
	47-050670-004	R.O. Switch Finger			
31.	11-051802-001	Split Pin (1 mm x 10 mm)			
32.	11-052025-001	Flat Washer (4.3 mm)			
33.	46-050300-004	Catch			
34.	47-050036-001	N.A. Pin Holder Complete (red box electrical system)			
	47-053850-009	Pin Holder Complete (universal electrical system)			
35.	47-050266-004	Connector Link			
36.	99-060218-004	Solenoid Complete (red box)			
37.	46-050302-004	Tension Spring			
38.	47-050677-004	Shaft			
39.	11-053478-001	N.A. Speed Nut (8 mm)			
	47-864050-000	R.O. Speed Nut (8 mm) Pkg of 10			

N.A. = No Longer Available  
R.O. = Replacement Option

\* Ground Shaft is reversed for L.H. or R.H. Pin Holder Assembly.

\*\* Interchangeable new style

## GS-10 and GS-92 Pin Holder Assembly



**GS-10 and GS-92 Pin Holder Assembly**