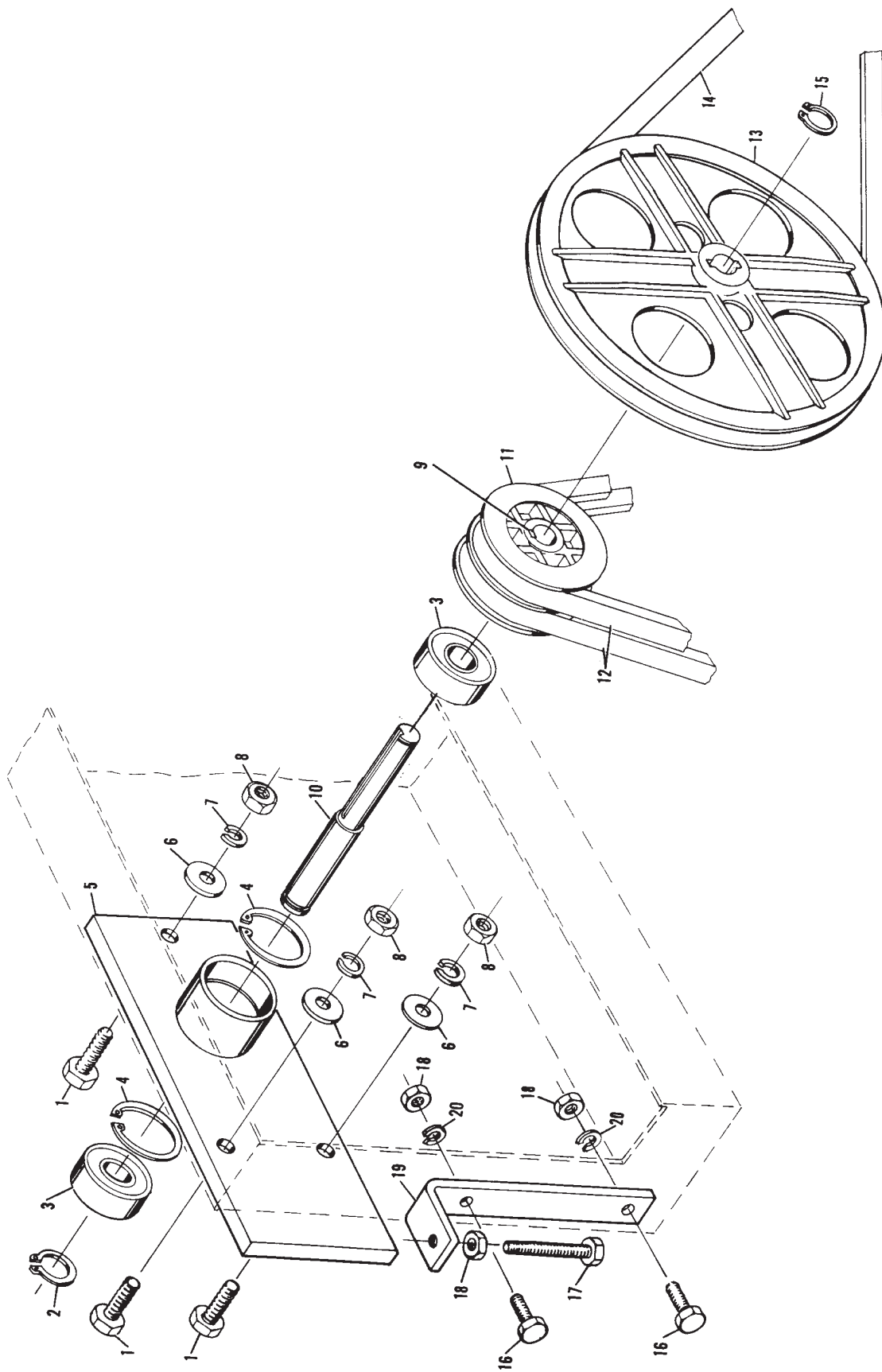


**Index**

| <b>No.</b> | <b>Part No.</b> | <b>Description</b>                |
|------------|-----------------|-----------------------------------|
| 1.         | 11-051045-001   | Hex Hd. Cap Screw (10 mm x 30 mm) |
| 2.         | 11-051853-001   | Retaining Ring (20 mm)            |
| 3.         | 11-430050-000   | Bearing                           |
| 4.         | 11-051901-001   | Retaining Ring (47 mm)            |
| 5.         | 47-071497-003   | Bearing Flange                    |
| 6.         | 11-052050-001   | Flat Washer (10.5 mm)             |
| 7.         | 11-051771-001   | Lockwasher (10 mm)                |
| 8.         | 11-051703-001   | Hex Nut (10 mm)                   |
| 9.         | 11-053494-000   | Key (5 mm x 5 mm x 32 mm)         |
| 10.        | *N.A.           | Idler Shaft                       |
| 11.        | 47-070990-003   | Double Pulley                     |
| 12.        | 11-053903-000   | V-Belt (8 mm x 13 mm x 1375 mm)   |
| 13.        | 99-070162-002   | Pulley                            |
| 14.        | 11-053901-000   | V-Belt (10 mm x 6 mm x 875 mm)    |
| 15.        | 11-051852-001   | Retaining Ring (17 mm)            |
| 16.        | 11-051010-001   | Hex Hd. Cap Screw (8 mm x 20 mm)  |
| 17.        | 11-051032-001   | Hex Hd. Cap Screw (8 mm x 55 mm)  |
| 18.        | 11-051704-001   | Hex Nut (8 mm)                    |
| 19.        | 47-071482-004   | Tensioning Bracket                |
| 20.        | 11-051770-001   | Lockwasher (8 mm)                 |

\* Order Bearing Assembly part number 47-073520-009 which includes index nos. 2, 3, 4, 5, and 10.

**Front Pulley and V-Belt Tensioner Assembly**



Front Pulley and V-Belt Tensioner Assembly