

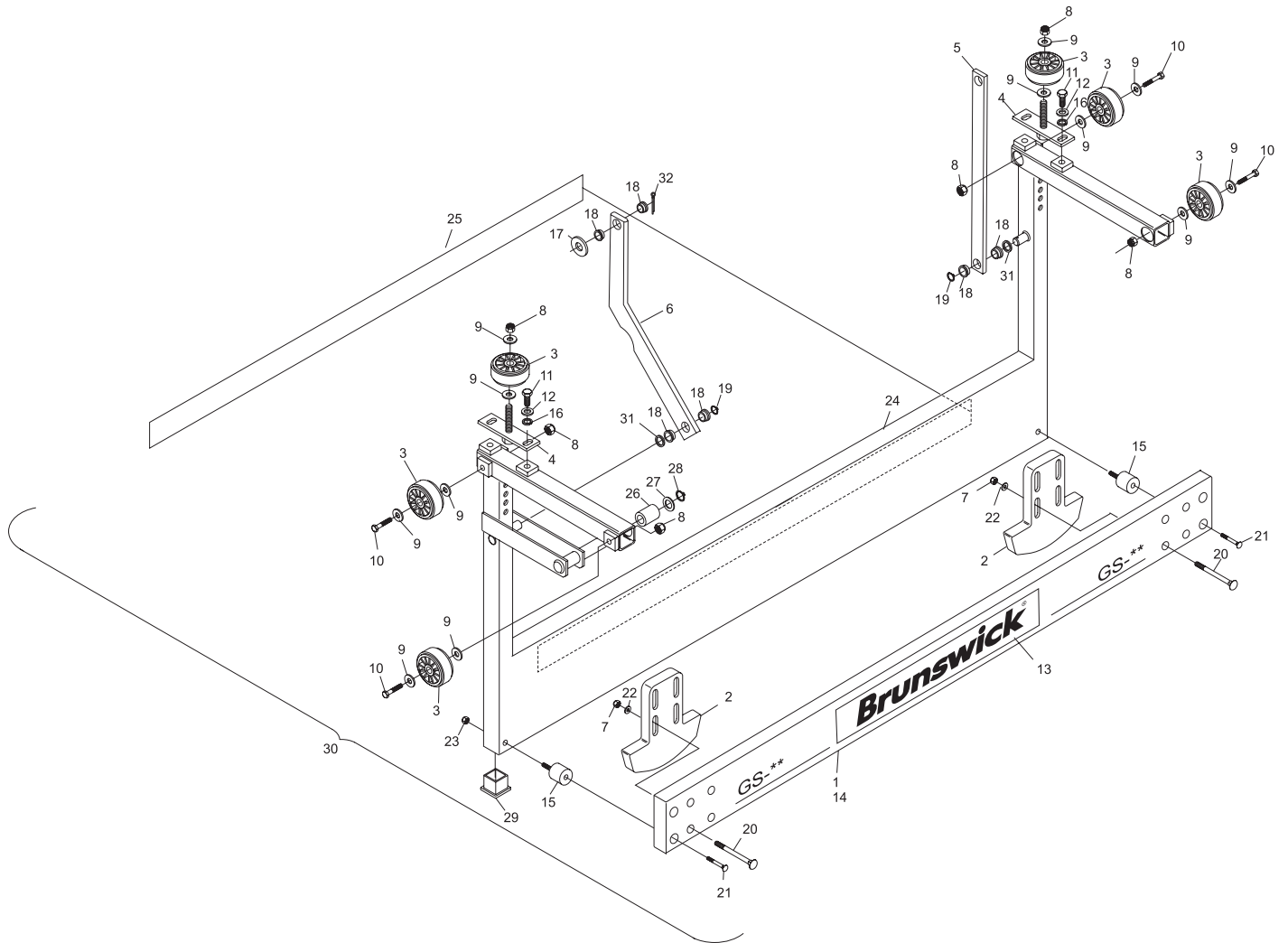
Index

No.	Part No.	Description
1.	47-044927-003	Sweep Board Only (gray for GS-98, or GS-X)
2.	47-041721-002	Gutter Adapter
3.	99-040249-004	Plastic Roller Assembly
4.	47-041774-004	Bracket
5.	47-041526-004	R.H. Pusher Rod
6.	47-042056-003	L.H. Pusher Rod
7.	11-051745-001	Locknut (10 mm)
8.	11-051747-001	Locknut (12 mm)
9.	11-052024-001	N.A. Flat Washer (13 mm)
	47-861010-001	R.O. Flat Washer (13 mm) Pkg of 20
10.	11-051070-001	Hex Hd. Cap Screw (12 mm x 60 mm)
11.	11-051010-001	Hex Hd. Cap Screw (8 mm x 20 mm)
12.	11-052019-001	Flat Washer (8.4 mm)
13.	47-045082-004	Sweep Board Decal (GS-98)
	47-045373-004	Sweep Board Decal (GS-X)
14.	47-044802-009	Sweep Board w/Felt (Brown)
15.	47-044979-004	Rubber Bumper
16.	11-051770-001	Lockwasher (8 mm)
17.	11-052034-001	Flat Washer (15 mm)
18.	99-010103-004	Plastic Bearing
19.	11-051869-000	Retaining Ring (15 mm)
20.	11-052601-001	Carriage Bolt (8 mm x 30 mm)
21.	11-052623-001	Carriage Bolt (10 mm x 40 mm)
22.	11-052035-001	Flat Washer (10.5 mm)
23.	11-051744-001	Locknut (8 mm)
24.	47-045010-002	Sweep Wagon (Frame only)
25.	47-044976-004	Felt only
26.	46-040170-004	Roller
27.	11-052053-001	N.A. Flat Washer (17 mm)
	47-861011-001	R.O. Flat Washer (17 mm) Pkg of 10
28.	11-051852-001	Retaining Ring (17 mm)
29.	47-044978-004	Foot Cap
30.	47-045013-009	S.O. Sweep Wagon - Complete
31.	11-054103-001	N.A. Shim Washer (16 mm)
	47-861029-001	R.O. Shim Washer (16 mm x 28 mm x .5 mm) Pkg. of 10
32.	11-051786-001	Cotter Pin

N.A. = No Longer Available

S.O. = Special Order

**Sweep Wagon Assembly - without Springs
(Machine Series 424 and Above)**



**Sweep Wagon Assembly - without Springs
(Machine Series 424 and Above)**