

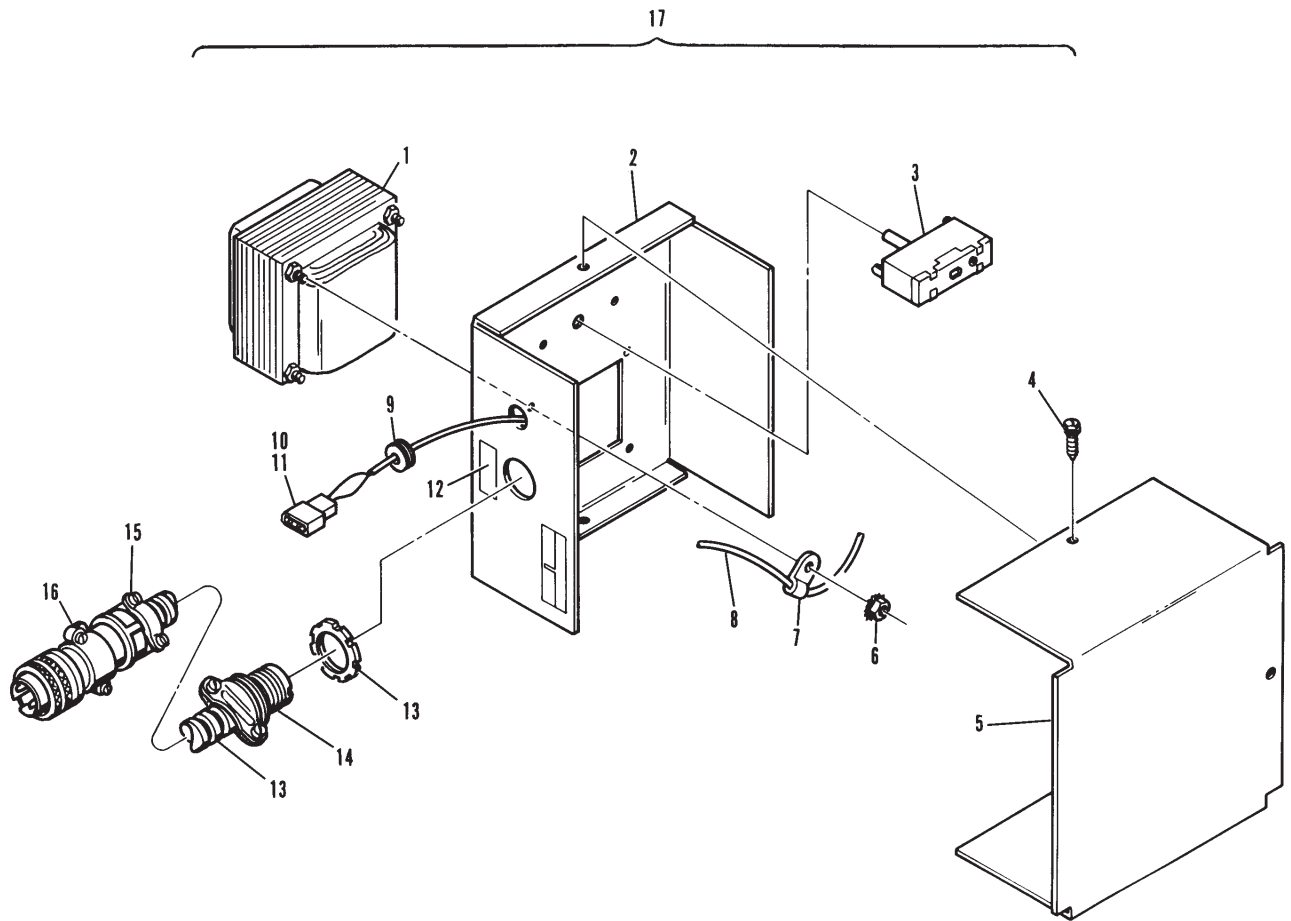
Index

No.	Part No.		Description
1.	53-100322-000		Transformer
2.	N.A.		Fan Conversion Cover
3.	11-685201-000		Circuit Breaker
4.	N.A.		Hex Washer Hd. Tapping Screw (#8 x 3/8")
5.	N.A.		Fan Conversion Box
6.	11-176007-001		Keps Nut (#8-32)
7.	11-604001-000		Cable Clamp
8.	53-520592-000	N.A.	Fan Cable Assembly
9.	11-651009-000	N.A.	Grommet (1/4")
10.	11-680302-000	N.A.	Molex Terminal
	57-860032-000	R.O.	Terminal - Male (Pkg. of 10)
11.	11-680116-000		Molex Receptacle
12.	N.A.		"Line" Decal
13.	N.A.		Cable Assembly
14.	11-602104-000	N.A.	Box Connector
15.	11-605128-000		Cable Clamp
16.	11-678901-000		Connector Plug
17.	53-860687-000	N.A.	Fan Conversion Box Assembly - Complete

N.A. = No Longer Available

NOTE: To convert 115VAC to 24VAC order part number 53-860331-000
Signal adapter Kit.

Fan Conversion Box Assembly



Fan Conversion Box Assembly