

Index

No.	Part No.	Description
1.	53-520234-000	Tension Spring
2.	53-520678-000	R.H. Ball Lift Track Assembly (upper and lower)
	*53-520679-000	L.H. Ball Lift Track Assembly (upper and lower)
3.	11-170009-001	Hex Hd. Nut, Self Locking, (5/16-18)
4.	53-520675-000	N.A. Ball Lift Weldment Assembly
	53-520696-001	R.O. Ball Lift Weldment Assembly W/Hardware (metric)
5.	53-520663-001	Lower Pulley w/Bearing Assembly
6.	53-520235-000	"V" Belt
7.	53-520658-000	Ball Lift Upper Pulley
8.	53-520685-000	Ball Lift Bearing Housing
9.	10-620057-000	Square Key (3/16 x 3/16 x 1-1/4)
10.	53-520060-000	Tire and Rim Assembly
11.	11-195015-001	Lockwasher (5/16")
12.	11-001258-001	Hex Hd. Cap Screw, (5/16-18 x 1/2")
13.	11-170007-001	Self-Locking Hex Nut (1/4-20)
14.	53-520073-000	Ball Transition Assembly
15.	11-001180-001	Hex Hd. Cap Screw, (1/4-20 x 5/8")
16.	53-520071-000	Bearing Stud
	52-520071-001	Bearing Stud - Metric
17.	53-520072-000	Spacer
18.	53-520244-000	Idler Assembly
19.	11-190014-001	Flat Washer (3/8")
20.	11-195016-001	Lock washer (3/8")
21.	11-001342-001	Hex Head Cap Screw (3/8-16 x 3/4")
22.	11-190530-001	Flat Washer (9/32")
23.	11-195014-001	Lockwasher (1/4")
24.	11-002004-001	Hex Hd. Cap Screw (1/4-20 x 1")
25.	**53-860325-000	N.A. Motor/Mount Bracket/Power Bracket Assembly
	53-860328-000	R.O. Ball lift Motor 115/230V 1/4 HP 1725 Pkg.
26.	11-002066-001	Hex Hd. Cap Screw (5/16-18 x 1-1/2")
27.	11-533019-000	Retaining Ring
28.	53-520421-000	Inner Ring
29.	53-520172-000	Leather Track
30.	53-520686-000	Rubber Track
31.	11-190006-001	Flat Washer (#10)
32.	11-081206-000	Truss Hd. Robertson Screw (10-24 x 5/8")
33.	53-520159-000	Poly V Sheave (1.32) .625 Dia. Shaft
	53-520582-000	Poly V Sheave (1") .625 Dia. Shaft
34.	90-520172-600	Frameworkx Urethane Track - includes one L.H. and one R.H. Track
35.	90-520075-600	Transition Track Advanced Performance
36.	53-520671-000	Ball Lift Motor Support

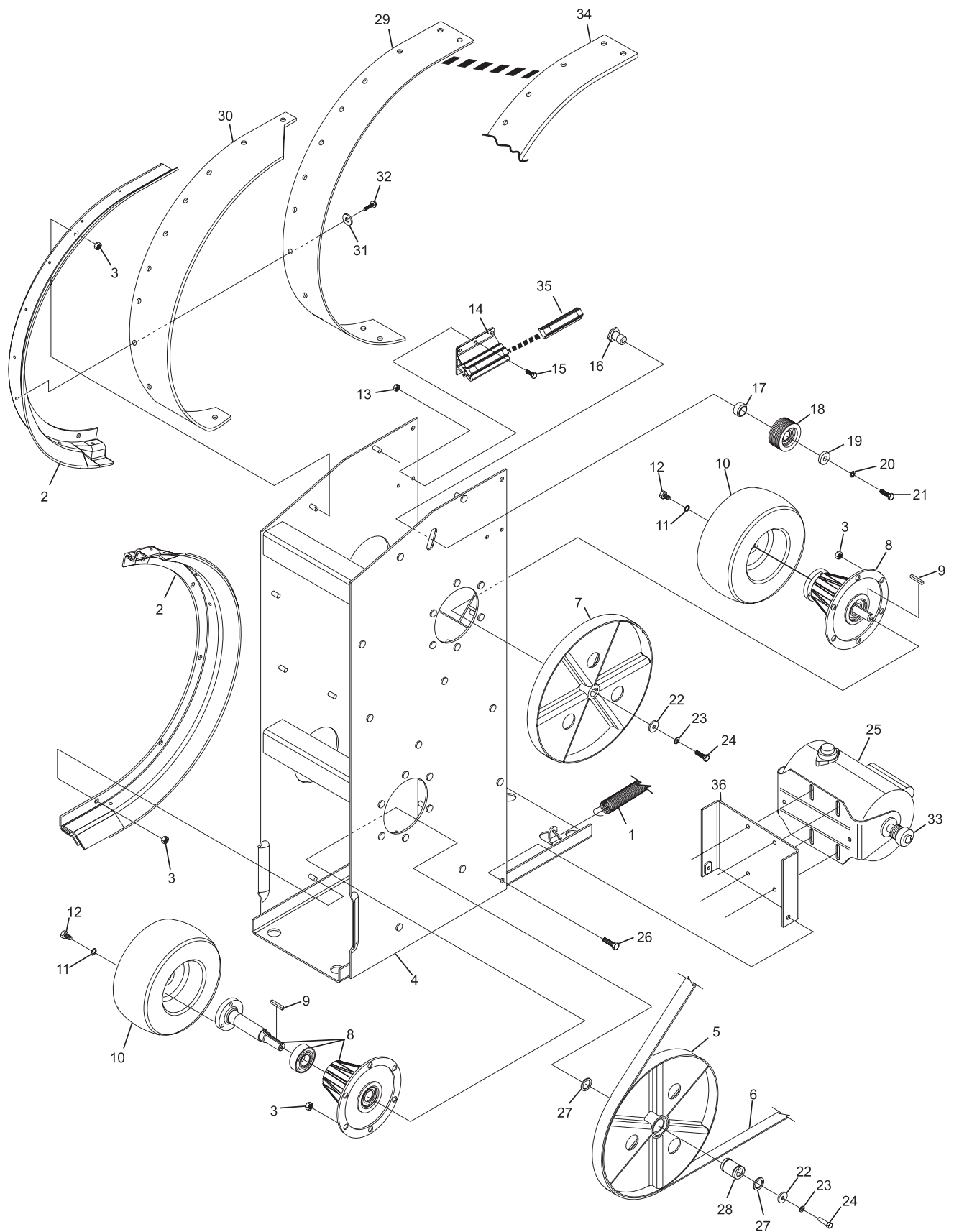
N.A. = No Longer Available

R.O. = Replacment Option

* Not Illustrated

** When using with B2000 Lift Mounting Plate 53-520671-000.

Frameworkx Ball Lift



Frameworx Ball Lift