

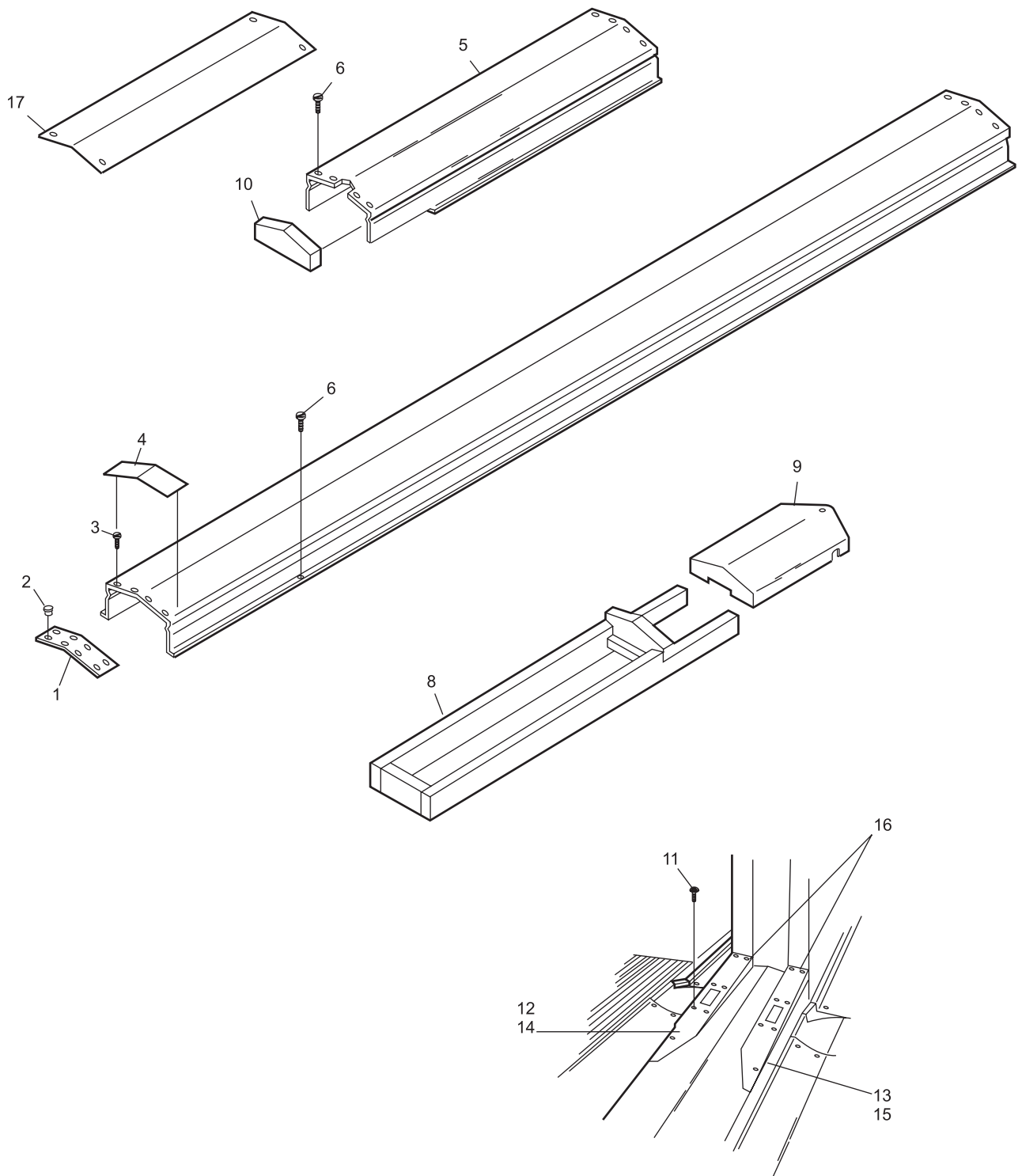
Index

No.	Part No.		Description
1.	84-200108-002	N.A.	Return Capping Coupler
2.	52-100207-000	N.A.	Grommet Nut
3.	11-086365-003		C.R. Flat Hd. Tapping Screw (#8-18 x 3/4")
4.	84-200124-000	N.A.	Vinyl Tape (2" x 17") (Brown)
	53-400239-200	N.A.	Polyester Tape (Reno Blue)
5.	N.A.		V.O.S. Return Capping w/Hardware (10-1/2") (Dark Gray)
	N.A.		U.O.S. Return Capping (10-1/2") (Dark Gray)
6.	N.A.		C.R. Flat Hd. Wood Screw (#8-15 x 3/4")
7.	*N.A.		V.O.S. Return Capping (10-1/2") (Brown)
	N.A.		U.O.S. Return Capping (10-1/2") (Brown)
8.	N.A.		Return Tel-E-Foul Mount
9.	N.A.		Cover w/Lens ("2000" Brown)
10.	N.A.		Return Mount
11.	N.A.		Flat Hd. Self Tapping Screw (#10 x 2-1/4")
12.	N.A.		L.H. Return Capping Nose Block (GS-10 Pinsetter Only)
13.	N.A.		R.H. Return Capping Nose Block (GS-10 Pinsetter Only)
14.	N.A.		L.H. Return Capping Nose Block and Label Assembly (GS-92 Pinsetter Only)
	84-200181-200		L.H. Return Capping Nose Block (Reno Blue)
15.	84-200182-000		R.H. Return Capping Nose Block and Label Assembly (GS-92 Pinsetter Only)
	N.A.		R.H. Return Capping Nose Block (Reno Blue)
16.	N.A.		"Danger" Label Only
17.	17-860784-000	N.A.	Return Capping Cover (Brown)
	17-860786-000	N.A.	Return Capping Cover (Gray)

N.A. = No Longer Available

* Not Illustrated

New Style V.O.S./O.U.S Subway Return Capping



FOR GS-10 PINSETTERS ONLY

New Style V.O.S./O.U.S Subway Return Capping