

Index

No.	Part No.	Description
1.	N.A.	Filler Block
2.	N.A.	Sltd. Flat Hd. Wood Screw (#14 x 2-1/2")
3.	21-088675-000	Front Fibre Plate (33" x 15" x 3/16") - Pre drilled
4.	21-088674-000	Rear Fibre Plate (21-3/4" x 19" x 3/16") - Pre drilled
5.	N.A.	#13 x 3/4" Nail (Lb.)
6.	N.A.	Cleat
7.	52-200076-000	N.A. Fill
8.	11-900107-000	N.A. #8D Nail (Lb.)
9.	N.A.	Sltd. Flat Hd. Wood Screw (#14 x 2-3/4")
10.	**11-070063-001	N.A. Hex Hd. Lag Screw (3/8-7 x 1-3/4")
11.	21-204312-000	N.A. Top Plate
12.	N.A.	Maple Fill Strip
13.	N.A.	Trim Panel
14.	N.A.	Nail (Pkg. of 50)
15.	52-200075-000	N.A. Spacer
16.	N.A.	Retaining Angle
17.	**52-200043-000	N.A. Fill Block
18.	11-170011-001	Self Locking Nut (3/8-16)
19.	**52-200046-000	N.A. Front Floor Bracket
20.	11-001347-001	Hex Hd. Cap Screw (3/8-16 x 1-3/8")
21.	11-191014-001	Flat Washer (3/8)
22.	11-040635-001	N.A. Sltd. Flat Hd. Wood Screw (#12 x 3-1/2")
23.	N.A.	Wood Insert w/o Plate
	52-200054-000	Insert w/Plate - Double
	N.A.	Insert w/Plate - Single R.H.
	N.A.	Insert w/Plate - Single L.H.
24.	N.A.	Hex Hd. Cap Screw (5/16-18 x 9/16")
25.	11-195015-001	Lockwasher (5/16)
26.	**11-015365-001	N.A. Sems Hex Hd. Cap Screw (5/16-18 x 5/8")
27.	**11-191012-001	Flat Washer (5/16)
28.	52-200041-000	Tie Strap
29.	*52-200005-002	R.H. Kickback Plate (16 x 40) (7 Pin Side)
	*52-200005-004	L.H. Kickback Plate (16 x 40) (10 Pin Side)
30.	N.A.	Frame Assembly w/o Insert
31.	52-860055-002	Fill Blocks w/Hardware (includes items 10, 17, 18, 19, 26, 27)

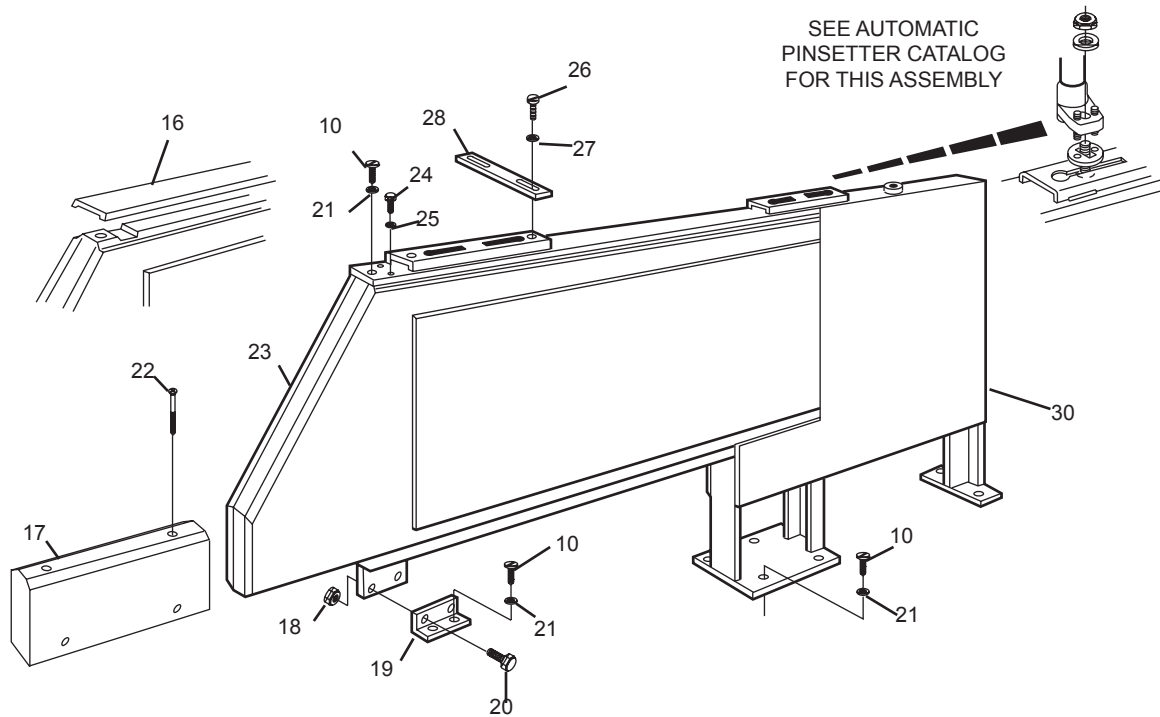
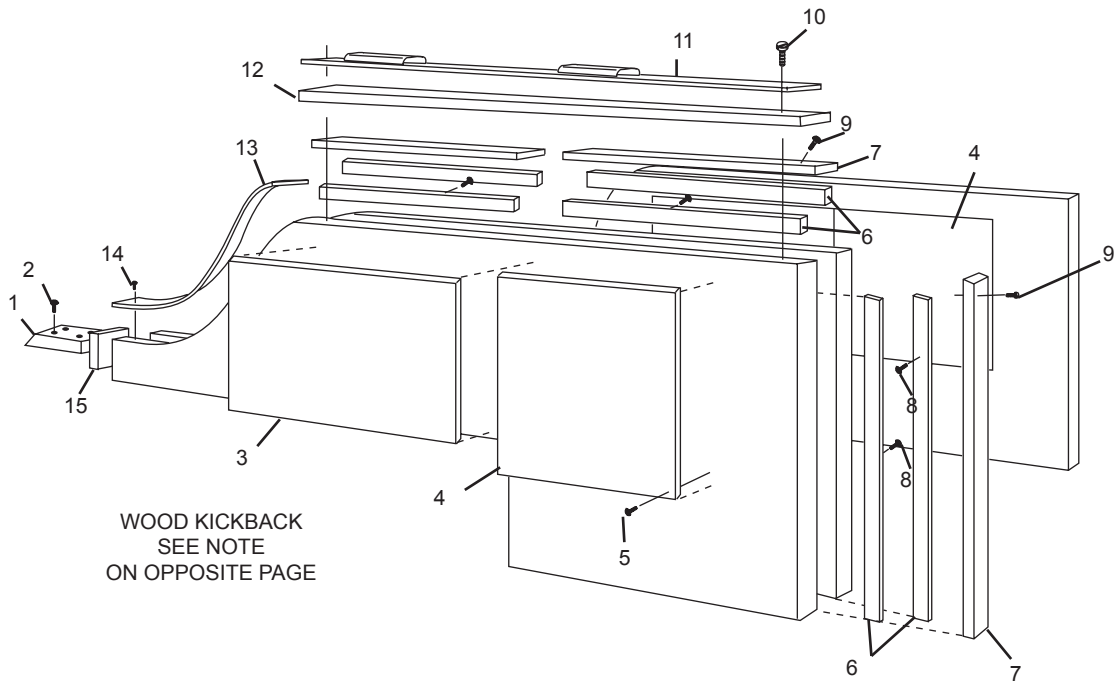
N.A. = No Longer Available

R.O. = Replacement Option

* Use cement 11-676047-000 and nails 15-603401-000

** For replacement option, see index No. 31.

Wood & Armor Frame Kickbacks For A-2 Pinsetters



Wood & Armor Frame Kickbacks For A-2 Pinsetters