

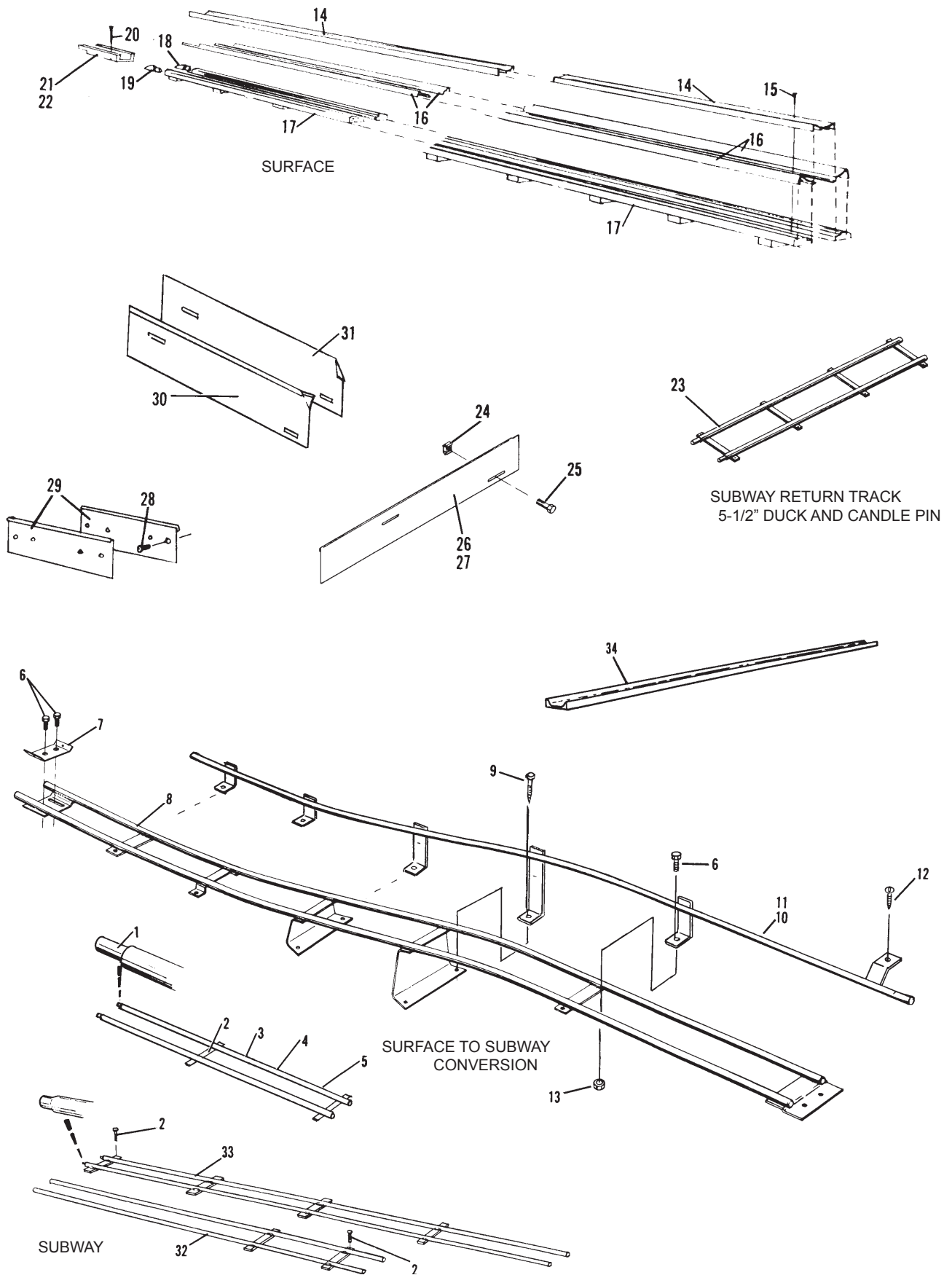
**Index**

<b>No.</b>	<b>Part No.</b>		<b>Description</b>
1.	19-201007-000		Plug Joint
2.	11-042123-001	N.A.	Sltd. Rd. Hd. Wood Screw (#12 x 3/4")
3.	N.A.		Return Track - End and Intermediate (144")
4.	N.A.		Return Track - Approach End (82-1/2")
5.	N.A.		Return Track - Approach End (85")
6.	11-015367-001		Sems Hex Hd. Machine Screw (5/16-18 x 3/4")
7.	53-520177-000		Hold Down Clamp
8.	N.A.		Approach Dropsweep
9.	N.A.		Hex Hd. Lag Screw (5/16-18 x 1-1/2")
10.	19-204989-000	N.A.	L.H. Guide Rail Assembly - Shown
11.	19-204988-000	N.A.	R.H. Guide Rail Assembly - Shown
12.	N.A.		Self Tapping C.R. Rd. Hd. Screw (1/4 x 1")
13.	11-125102-001		Hex Nut (5/16-18)
14.	N.A.		Center Moulding
15.	N.A.		C.R. Flat Hd. Wood Screw (#14 x 1-1/4")
16.	N.A.		Plastic Track (2 Pieces 65-1/2")
17.	N.A.		Track Base (9-1/2 and 10-1/2)
18.	N.A.		L.H. Plug Block
19.	N.A.		R.H. Plug Block
20.	11-040157-001	N.A.	C.R. Flat Hd. Wood Screw (#14 x 1-1/2")
21.	N.A.		9-1/2 Support Block
22.	N.A.		10-1/2 Support Block
23.	53-520195-000	N.A.	Track Assembly (94-1/2")
24.	11-179020-001		Grip Nut (1/4-20)
25.	11-001178-001		Hex Hd. Cap Screw (1/4-20 x 1/2")
26.	N.A.		L.H. Side Panel (9-1/2 Return Only ) - Shown
27.	N.A.		R.H. Side Panel (9-1/2 Return Only) - Opposite
28.	N.A.		Sltd. Flat Hd. Wood Screw (#10 x 5/8")
29.	N.A.		Side Panel Plate
30.	N.A.		L.H. Side Panel
31.	N.A.		R.H. Side Panel
32.	19-088168-000	N.A.	Track Assembly (99")
33.	19-088167-000		Track Assembly (144")
34.	*19-203999-000	N.A.	Plastic Return Track - Subway

*N.A. = No Longer Available*

\* Not Illustrated

**Ball Return Track & Side Panels**



**Ball Return Track & Side Panels**