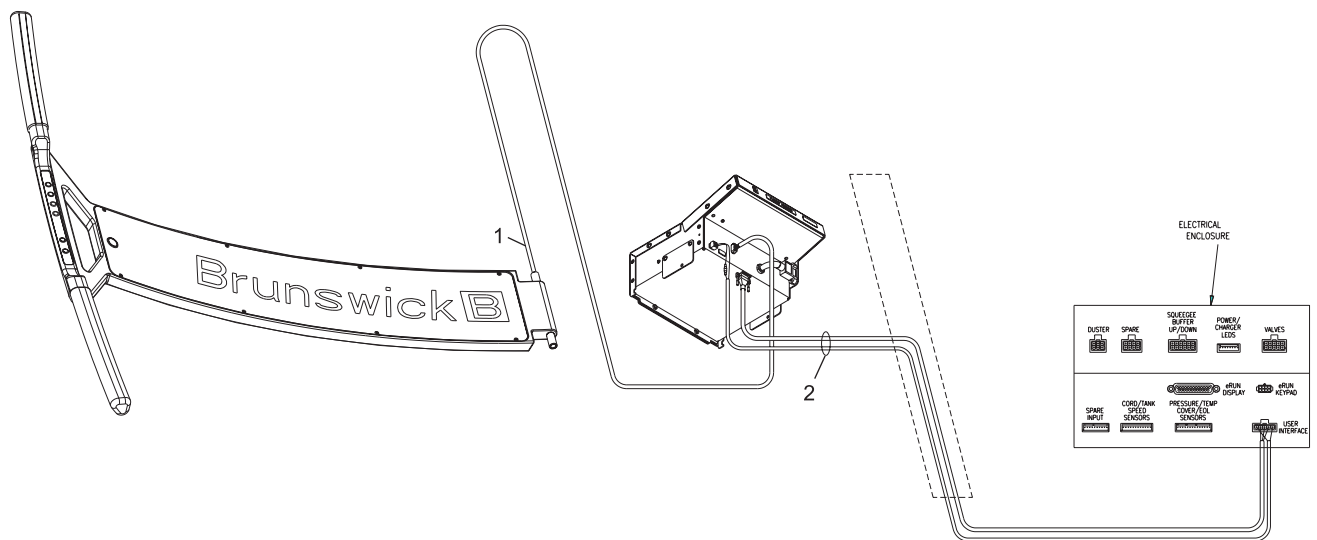


Index No.	Part No.	Description
1.	14-100186-091	Lane Machine keypad Board Cable Assembly
2.	14-100812-000	User Interface (GUI) Communications Cable Assembly



Electronic Enclosure - Handle and GUI - Cable Assemblies