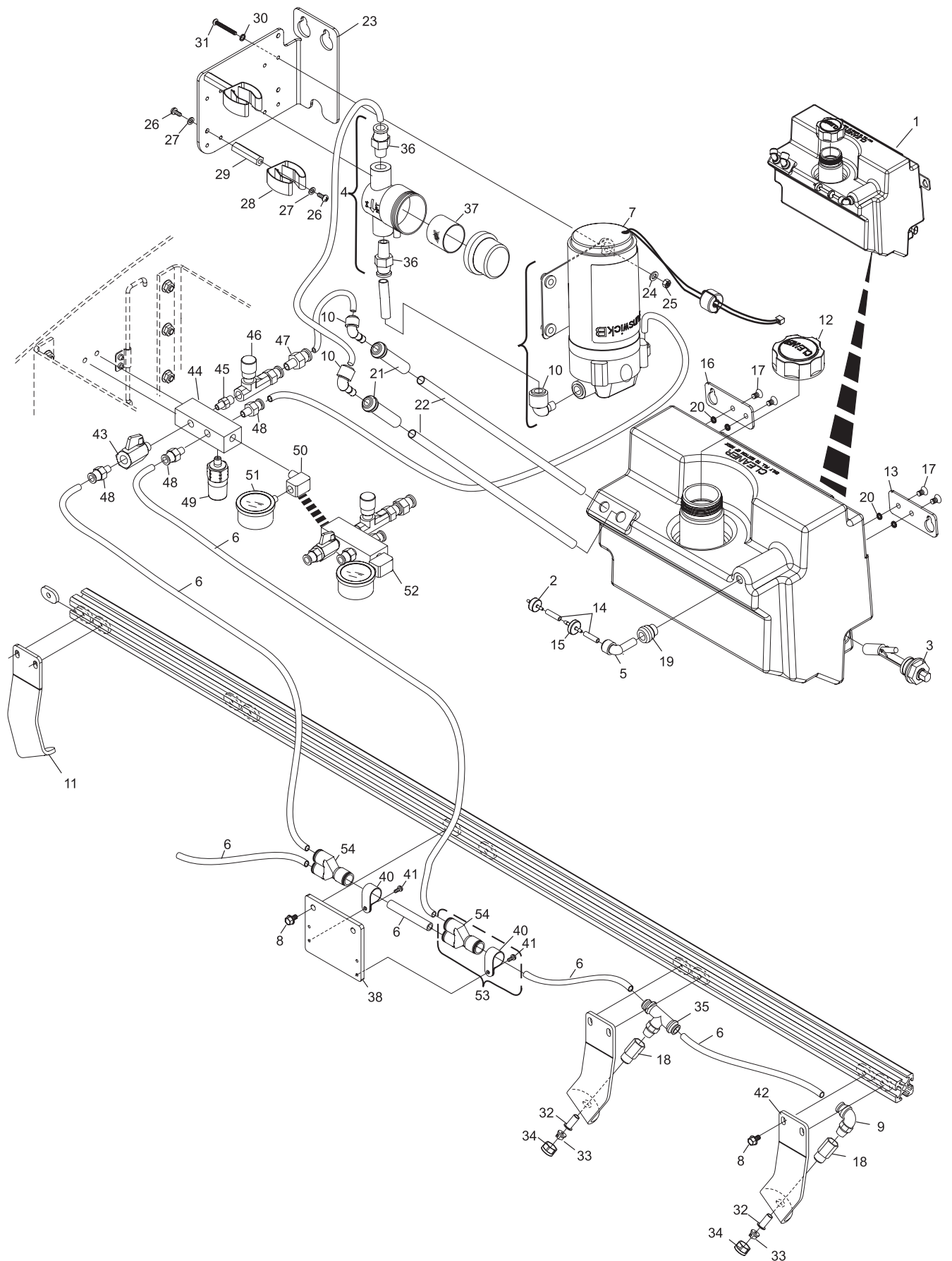


Index

No.	Part No.	Description
1.	14-100944-000	Supply Tank Assembly
2.	11-655037-000	Vent Valve
3.	14-100942-000	Level Float Sensor
4.	14-100406-000	Line Strainer Assembly
5.	11-655052-000	90° Elbow Fitting (1/4" tube x 3/8" stem)
6.	11-655043-006	Tubing - 3/8" (20')
7.	14-100758-091	Cleaner Pump Assembly
8.	11-010782-000	Hex Head Serrated Flange Cap Screw (1/4-20x 1/2")
9.	11-655041-000	Elbow Fitting (3/8 tube 1/4 NPT)
10.	11-655053-000	90° Elbow Fitting (3/8")
11.	14-100864-002	Nozzel Holder Bracket (right hand)
12.	14-100449-000	Cap w/Seal
13.	14-100440-002	Tank Mounting Bracket (left hand)
14.	11-655039-001	Tube (1/4 O.D. x 1.25")
15.	11-655038-000	Check Valve (1/8 x 1/8)
16.	14-100440-001	Tank Mounting Bracket (right hand)
17.	11-014265-000	Screw (1/4-20 x 1/2")
18.	11-655074-000	Nozzel Body - Female (1/4 x 11/16-16)
19.	14-100430-001	Grommet
20.	11-625602-000	O-Ring (11/32)
21.	14-100430-000	Grommet
22.	11-282004-002	Tubing (3/8" x 10-3/8")
23.	14-100438-000	Pump Mounting Bracket
24.	11-191753-000	Washer
25.	11-170005-015	Lock Nut (#10-24)
26.	11-006061-015	Screw (#8-32 x 3/8")
27.	11-199002-015	Lockwasher (#8)
28.	11-655058-000	Tool Holder
29.	11-185257-000	Standoff (#8-32 x 1-1/4")
30.	11-199003-015	Lockwasher (#10)
31.	11-006095-000	Screw (#10-24 x 1-1/4")
32.	11-655086-000	Strainer w/Check Valve (100 mesh screen)
33.	11-655070-000	Spray Tip - 110 Deg (.05 GPM)
34.	11-655004-000	Spray Cleaner Tip Retainer
35.	11-655080-000	Tee Fitting (3/8" Tube To 1/4 NPT)
36.	11-655048-000	Connector Fitting (3/8")
37.	11-655084-004	Line Strainer (100 Mesh)
38.	14-100877-000	Union Plate
39.	11-655025-000	Y - Union (3/8" Dia. Tube)
40.	11-603003-000	Loop Clamp (5/8")
41.	11-012058-015	Screw (#8-32 x 3/8")
42.	14-100864-001	Nozzel Bracket (left hand)
43.	11-655075-000	Ball Valve (1/8 NPT Male-Female)
44.	14-100879-000	Cleaner Manifold Body
45.	11-655076-000	Nipple Reducer - Hex Male (1/4 NPT to 1/8 NPT)
46.	11-655071-000	Adjustment Valve - Bi-Directional Flow Control
47.	11-655048-000	Male Connector Fitting (3/8" Tube x 1/4 NPT)
48.	11-655063-000	Male Connector Fitting (3/8" Tube x 1/8 NPT)
49.	14-100935-000	Low Pressure Switch Assembly
50.	11-655057-000	Fitting - 90 Degree Elbow
51.	11-655065-000	Pressure Gauge (2 Dia 0-60 PSI)
52.	14-100910-000	Cleaner Manifold Assembly
53.	14-860035-000	Pkg. "Y"- Union (3/8")
54.	11-655087-000	Y - Union (3/8")

Cleaner Delivery System



Cleaner Delivery System