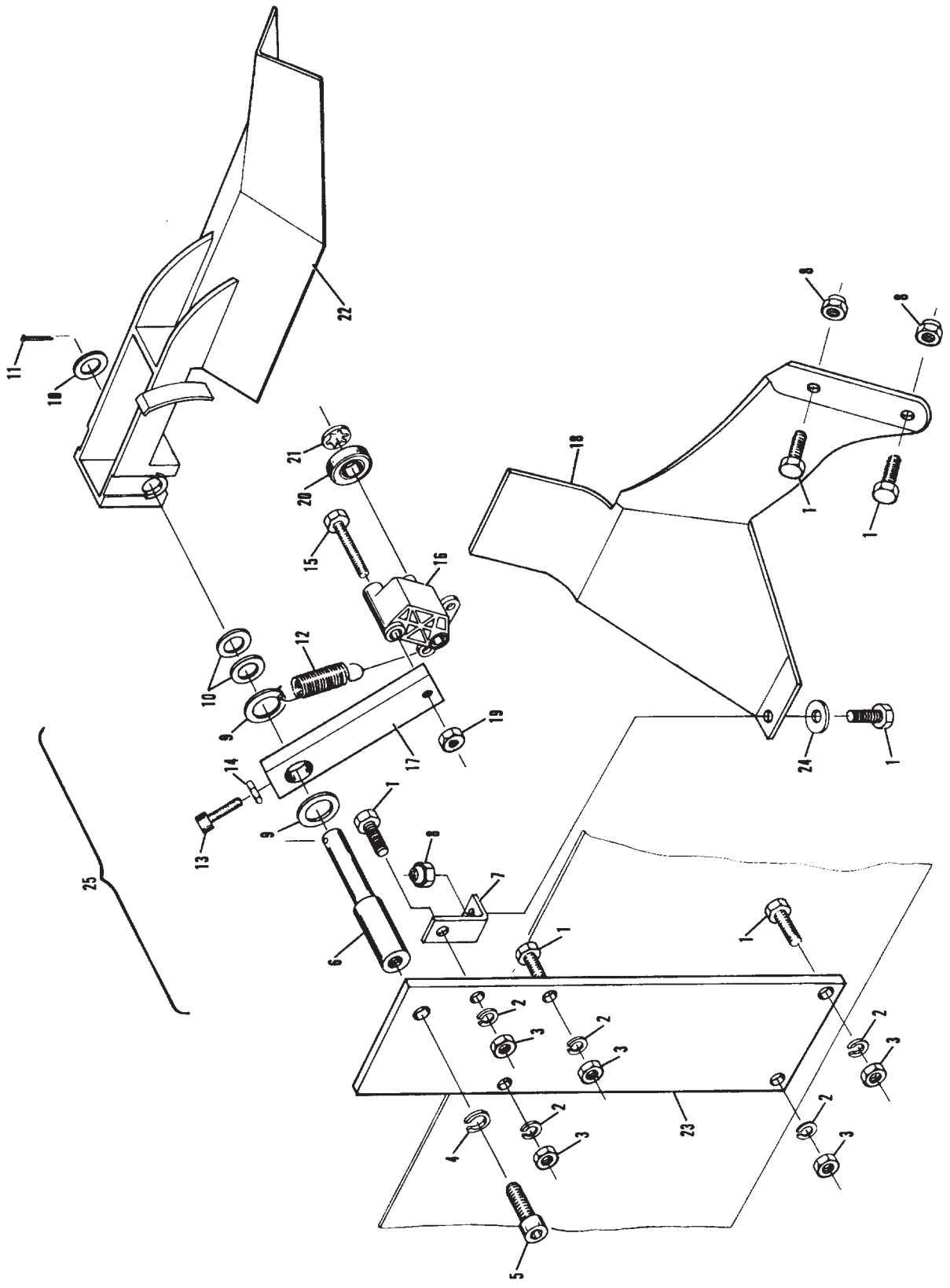


**Index**

<b>No.</b>	<b>Part No.</b>		<b>Description</b>
1.	11-051035-001		Hex Hd. Cap Screw (6 mm x 16 mm)
2.	11-051769-001		Lockwasher (6 mm)
3.	11-051702-001		Hex Nut (6 mm)
4.	11-051772-001		Lockwasher (12 mm)
5.	11-051540-001		Socket Hd. Cap Screw (12 mm x 20 mm)
6.	47-090773-004	N.A.	Shaft
7.	47-092085-004	N.A.	Angle Bracket
8.	11-051743-001		Locknut (6 mm)
9.	11-052038-001		Flat Washer (21 mm)
10.	11-052036-001		Flat Washer (15 mm)
11.	11-051786-001		Cotter Pin (2.5 mm x 25 mm)
12.	47-092046-004		Tension Spring
13.	11-051515-001		Socket Hd. Cap Screw (6 mm x 18 mm)
14.	11-053155-001		Hex Hd. Jam Nut (6 mm)
15.	11-051032-001		Hex Hd. Cap Screw (8 mm x 55 mm)
16.	47-092045-004		Bearing Holder
17.	47-092044-004	N.A.	Shaft Plate
18.	47-090856-001	N.A.	Flap
19.	11-051704-001		Hex Nut (8 mm)
20.	11-430049-000		Bearing
21.	11-053480-001		Speed Nut (10 mm)
22.	47-090791-001		Head Centering Flap
23.	47-091501-003	N.A.	Mounting Plate
24.	11-052048-001		Flat Washer (6.4 mm)
25.	47-092072-002	N.A.	Pin Head Centering Device Assembly Complete

*N.A. = No Longer Available*

**Pin Head Centering Device Assembly  
(Single Feed Distributor)**



**Pin Head Centering Device Assembly  
(Single Feed Distributor)**