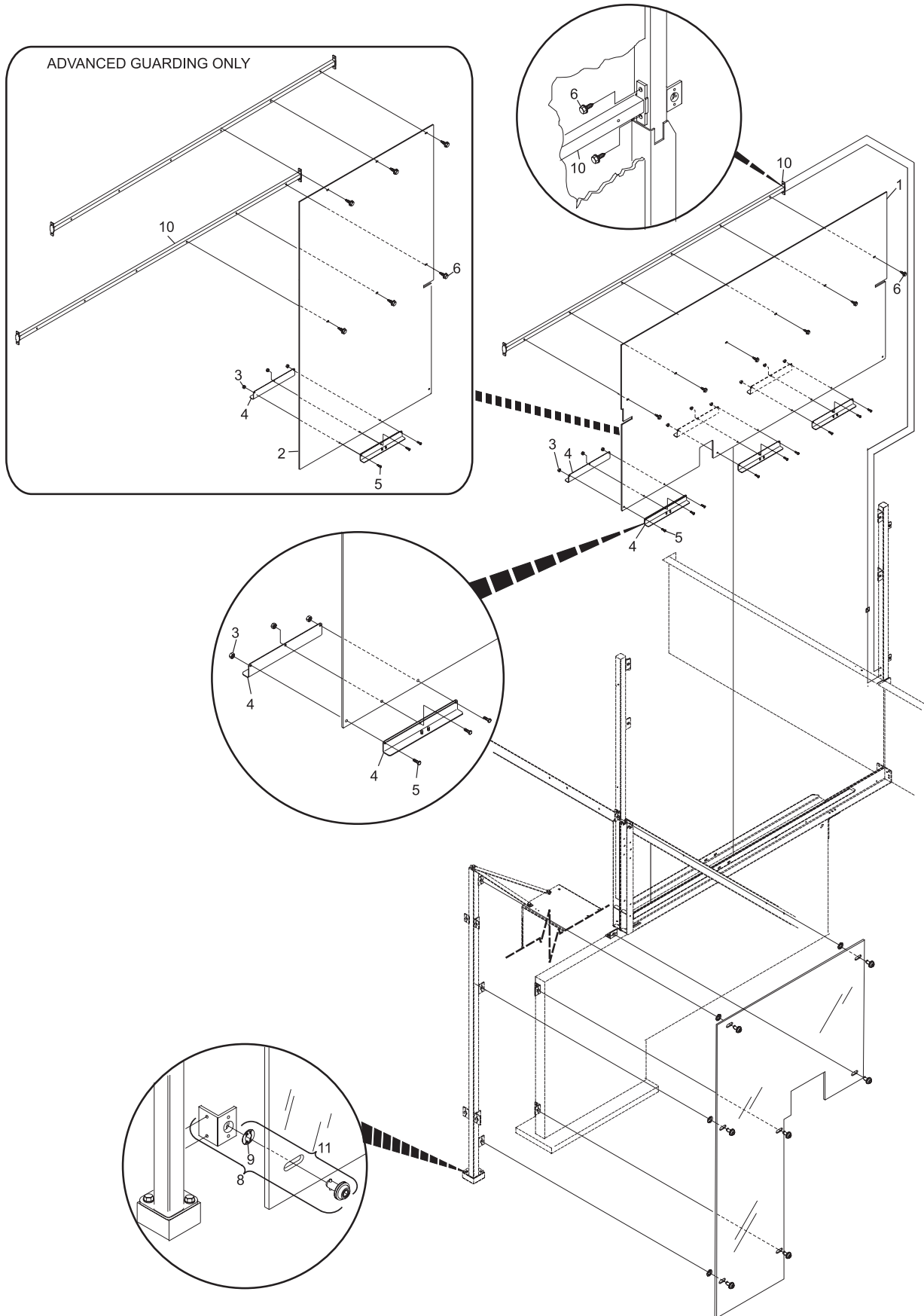


Index

No.	Part No.		Description
1.	47-085990-000	S.O.	Division Guard - UK Advanced Guards only
2.	47-086043-000	S.O.	Division Guard - Advanced Guards only
3.	11-051743-001		Locknut (6 mm)
4.	47-085991-000	N.A.	Division Guard Support
5.	11-051018-001		Hex Head Lag Screw (6 mm x 20 mm)
6.	11-010818-001	N.A.	Self Tapping Screw (1/4-14 x 1")
7.	47-086039-000	S.O.	Elevator Guard
8.	47-013952-004	N.A.	Quick Lock Assembly (includes Fastener, Retainer and Bracket)
9.	47-086163-009		Quick Lock Retainer Pkg. (Qty. 10)
10.	47-086066-009		Guard Support Tube
11.	47-086165-009		Quick Lock Internal Hex Drive Pan Head Fastener w/Retainer Ring

N.A. = No Longer Available

S.O. = Special Order



**UK Advanced/Advanced
Division Machine Guards**