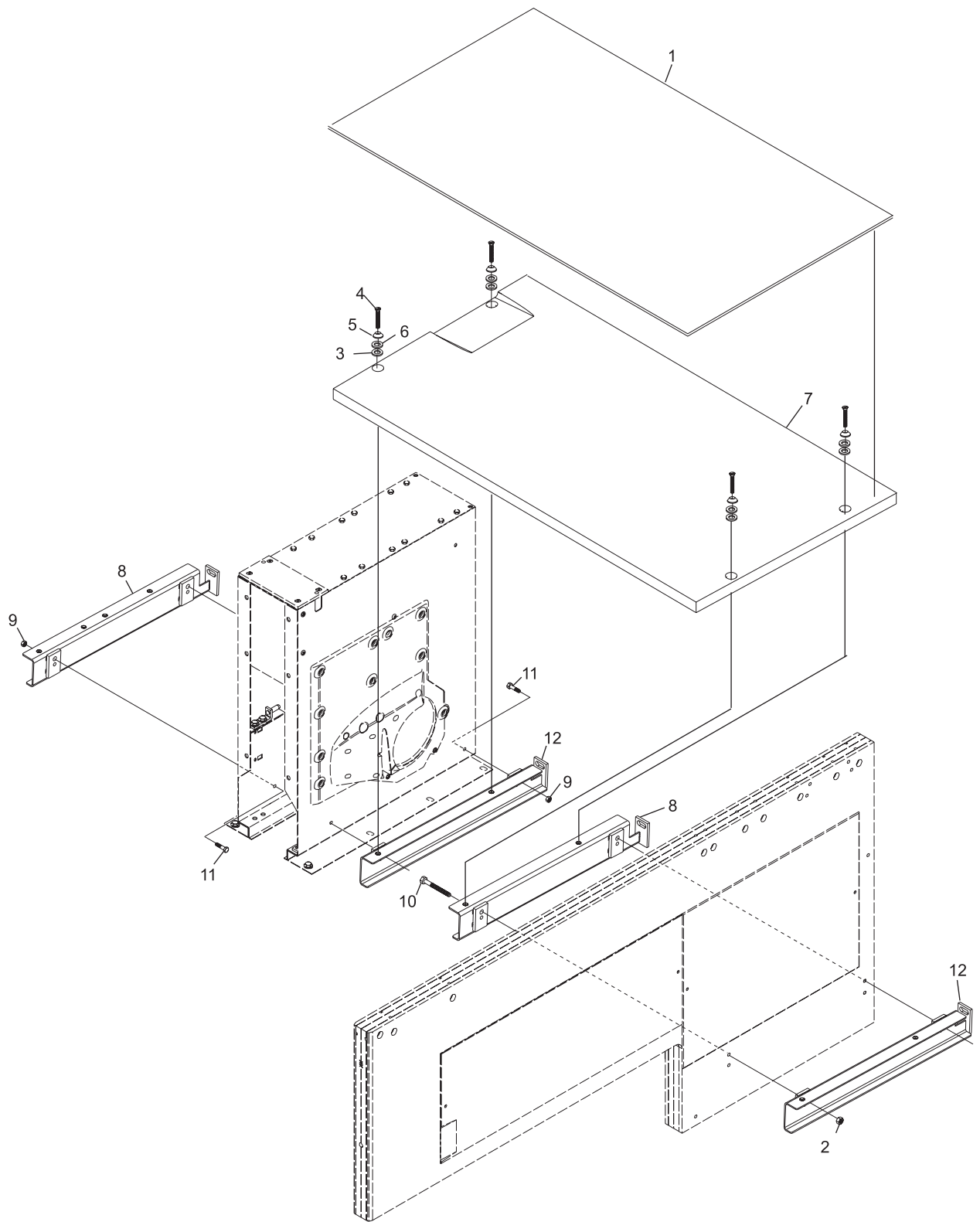


Index

No.	Part No.	Description
1.	55-273500-000	Pit Carpet (glue down)
2.	11-051745-001	Hex Nut (10 mm)
3.	47-024741-004	Flat Washer (10.5 mm)
4.	11-052929-000	Slted. Pan Hd. Machine Screw (10 mm x 50 mm)
5.	47-024740-004	Finishing Washer ((5.3 mm x 28 mm x 10.2 mm)
6.	47-024739-004	Rubber Washer (3 mm x 28 mm x 10 mm)
7.	55-083124-000	Right Hand Pit Board Left Hand Pit Board
8.	55-083122-000	Right Hand Side Frame
9.	11-051970-000	Hex Nut (10 mm)
10.	11-051569-009	Hex Head Caps Screw (10 mm x 120 mm)
11.	11-051045-000	Hex Head Caps Screw (10 mm x 30 mm)
12.	55-083123-000	Left Hand Side Frame
13.	*55-273501-000	Glue (7 Kg Bucket) used to adhere carpet to pit board
14.	*55-273502-000	Notch Trowel

* Not Illustrated



**Pit
(Short Pit)**