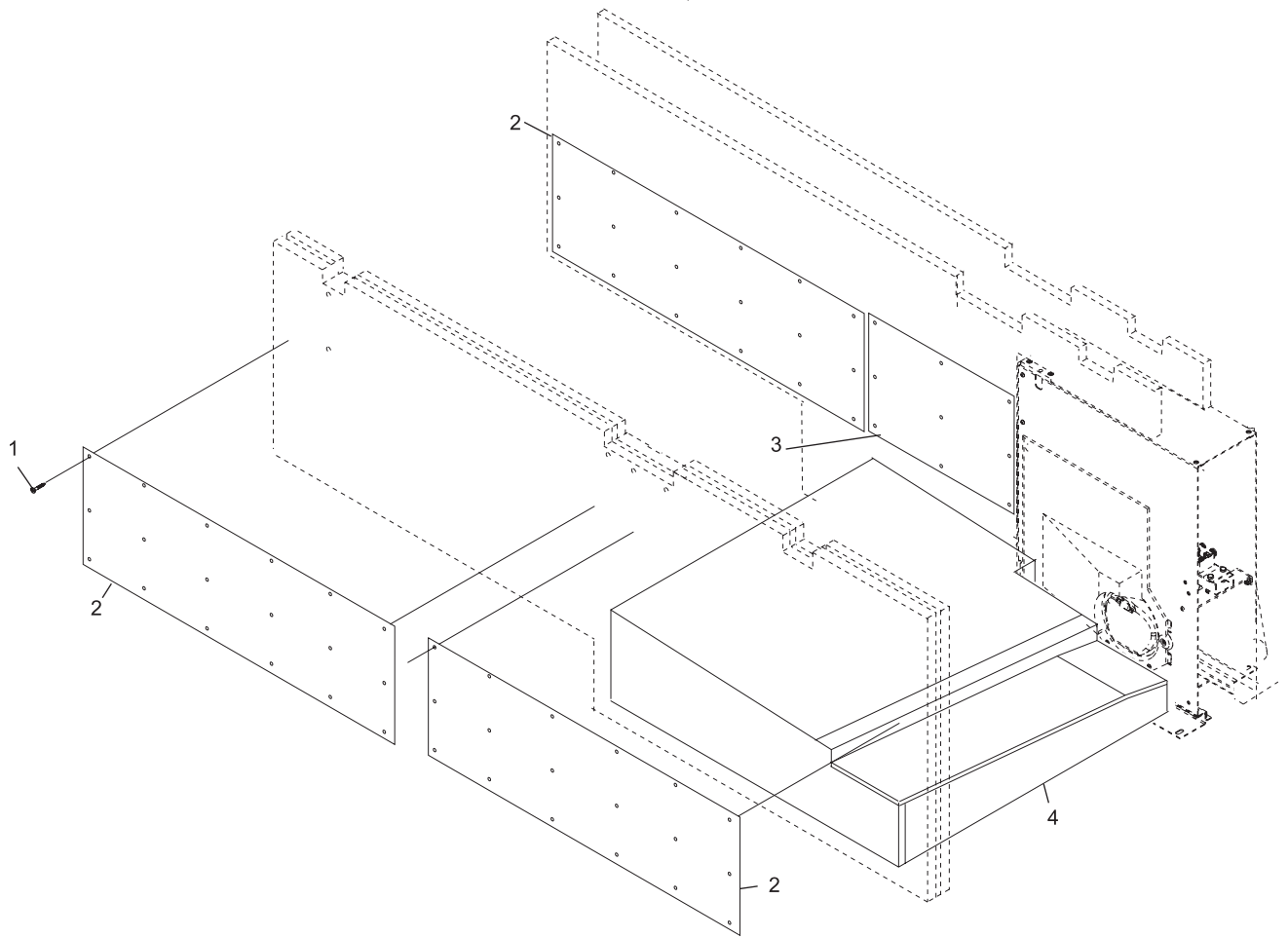


Index

| No. | Part No. | Description |
|------------|-----------------|---|
| 1. | 11-081209-000 | Flat Head Self Tapping Robertson Screw (10 x 1-1/4") |
| 2. | 55-273001-003 | Kickback Protector Plate (Long) |
| 3. | 55-273209-003 | Kickback Protector Plate (Short) |
| 4. | 55-273200-009 | Pit Assembly - right hand/even |
| 5. | 55-273201-009 | Pit Assembly - left hand/odd |

**Pit Assembly
(Long Pit)**



**Pit Assembly
(Long Pit)**