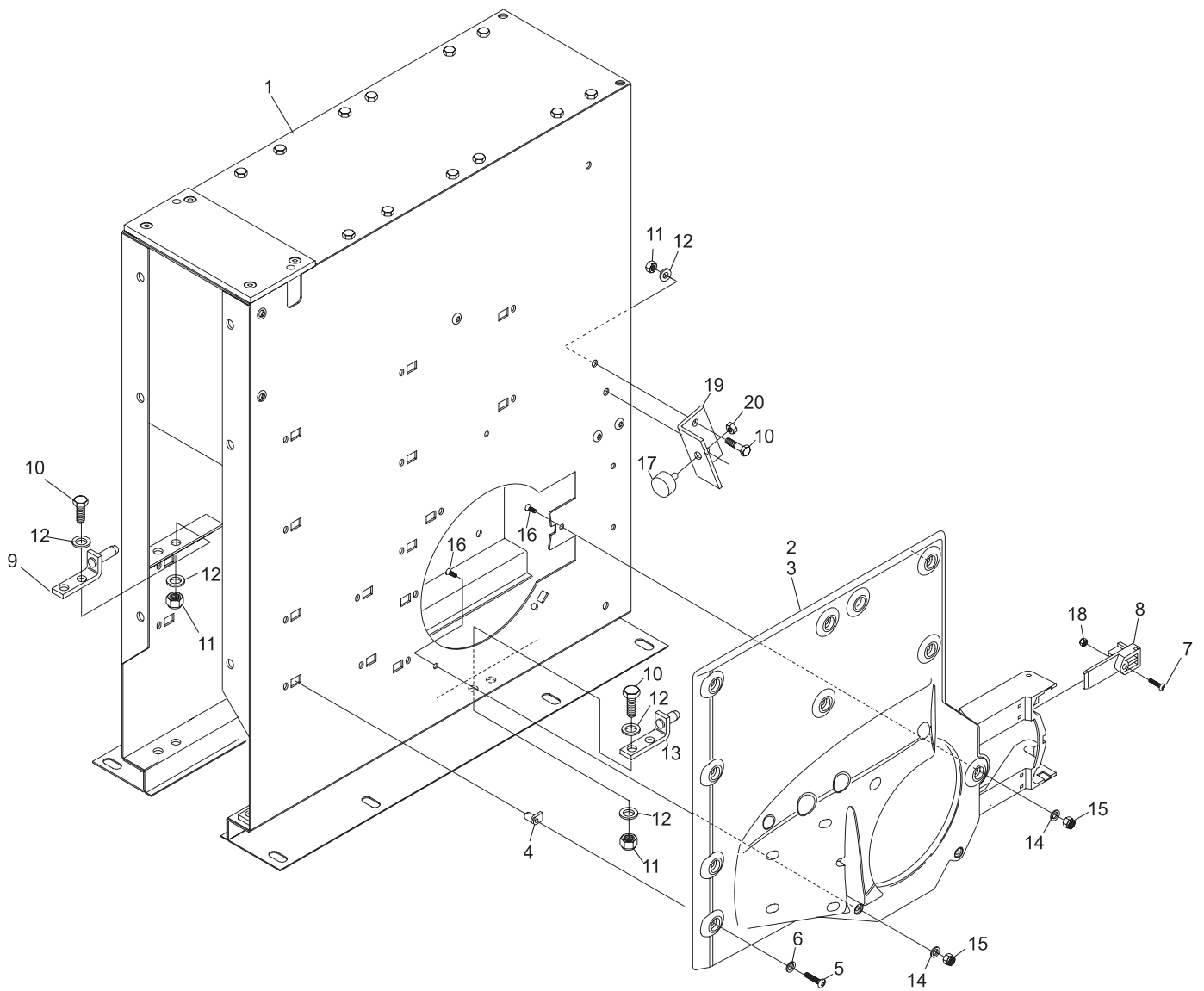


<b>Index No.</b>	<b>Part No.</b>	<b>Description</b>
1.	55-036218-220	Ball Accelerator Box 220V (complete)
	55-036218-380	Ball Accelerator Box 380V (complete)
2.	47-035240-001	L.H. Ball Door Protector Plate - 10 pin side
3.	47-035241-001	R.H. Ball Door Protector Plate - 7 pin side (shown)
4.	11-055800-000	EJOT Plastic Fastener (Nut Plate)
5.	11-054466-000	EJOT Plastic Fastener Screw (25 mm x 60 mm)
6.	11-052008-001	Flat Washer (6.4 mm)
7.	11-054466-000	Torx Head Seft Tap Plastic Screw (K60 x 25 mm)
8.	47-035239-004	Axle Wedge
9.	47-035220-003	Front Accelerator Mount Bracket w/Pin
10.	11-051019-001	Hex Hd. Cap Screw (10 mm x 25 mm)
11.	11-051745-001	Locknut (10 mm)
12.	11-052018-001	Flat Washer (10.5 mm)
13.	47-035219-003	Rear Ball Rod Assembly Mount w/Pin
14.	11-052020-001	Flat Washer (5.3 mm)
15.	11-051742-001	Locknut (5 mm)
16.	11-052933-001	Countersunk Screw (5 mm x 12 mm)
17.	99-020434-004	Rubber Bumper (30 x 20)
18.	11-051743-001	Locknut (6 mm)
19.	47-025751-004	Stop Bracket
20.	11-051744-001	Hex Nut (8 mm)

## Accelerator Box Assembly



### Accelerator Box Assembly